

CMS

PENT ROOF

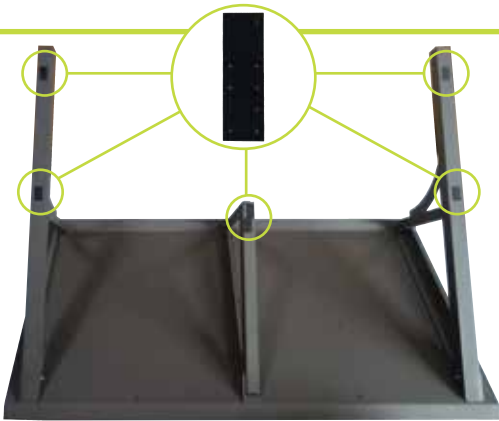
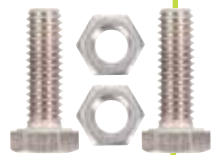
ASSEMBLY



1 Roof section, bottom side up, on the floor.



2 Fasten side pieces and braces with provided bolts.



3 Put rubber pieces over holes to seal. (may arrive preinstalled)

TIP: To mount the pent roof, add an extra 2x4 around the window and wrap in trim.

Installation requires 28 inches of clearance from the top of window

28"

4 Fasten to building.



5 Plug holes and tube ends with plastic caps



Plastic caps