



# RACKING SYSTEMS

HEIGHT—94"  
 24" ARMS—ADJUSTABLE  
 BY EVERY 6"  
 200 LBS/ARM  
 1000 LBS/UPRIGHT  
 POWDERCOATED STEEL



## VERSATILE STORAGE



Great for versatile garage storage! Use your own plywood for sturdy, economic shelving or CMS aluminum shelves.

Adjustable crossbraces allow for **32", 36", 40", 48", 52", 56", 60"** centers.

## CONFIGURATIONS



The customization of CMS Racking allows configurations including **back-to-back racking**.

Closer spacing between uprights accommodates more weight.

## MIXED-USE



Excellent for mixed use warehousing or retail displays for both cantilever storage and shelving!

**CMS aluminum shelves** are best for **32" or 48"** centers, available in **4' or 8'** length.

## OPTIONAL



Secure the upright to the base using 4 nuts and 4 bolts. Repeat for multiple uprights if applicable.



Install two crossbraces using 6 bolts and nuts (6 per cross brace) to connect uprights. Adjust to the preferred upright centers. Repeat for multiple uprights if applicable.



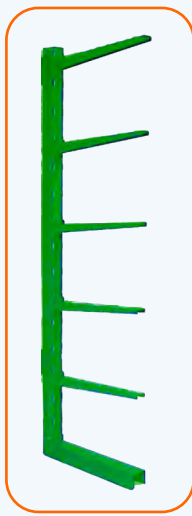
Attach arms by sliding the hook into the desired spaces on the upright to securely lock arms in place.



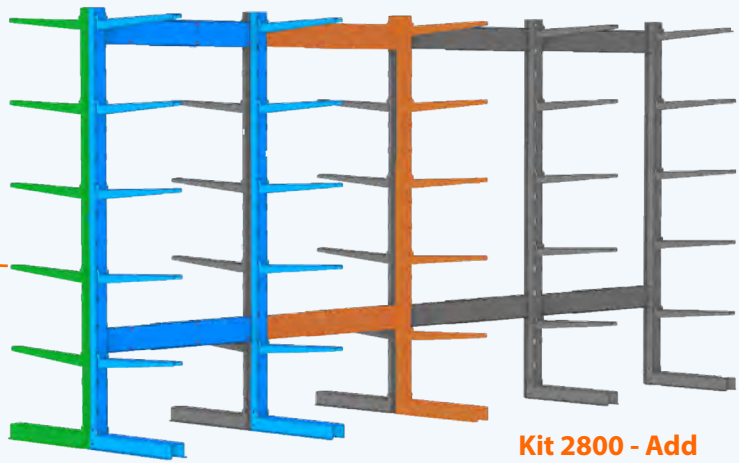
Insert arm stops to keep items from rolling off the shelf.



Install shelving using pre-drilled holes for plywood or CMS aluminium shelves.






**Kit 2800 - Up**



**Kit 2800 - Starter**


**Kit 2800 - Add**

Kit Code	Description	Items	Upright Centers	Arm Max	Upright Max
<b>2800 - Starter</b>	Starter Kit	2 uprights and 2 bases 10 ct arms 2 adjustable cross braces Fasteners included	32"-60" adjustment every 4"	200 lbs	1000 lbs
<b>2800 - Add</b>	Add-On Kit	1 upright and 1 base 5 ct arms 2 adjustable cross braces Fasteners included	32"-60" adjustment every 4"	200 lbs	1000 lbs
<b>2800 - Up</b>	Upright Only Kit	1 upright and base 5 ct arms Fasteners included	NA	200 lbs	1000 lbs

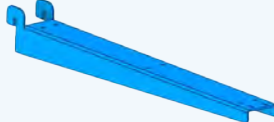
Add-On Code	Description	Product Photo
<b>2805-24x96</b>	8' Aluminum Main Shelf <i>*Recommended use on 32" or 48" centers</i>	
<b>2805-24x48</b>	4' Aluminum Starter Shelf	
<b>2805-STOP</b>	5" Arm Stop	




**2801-94**  
8' Upright  
94" x 5 1/4" x 2 1/2"




**2804-24**  
24" Arm  
26" x 5 1/2" x 4 3/4"




**2802-24**  
Base  
26" x 5 1/2" x 4 3/4"



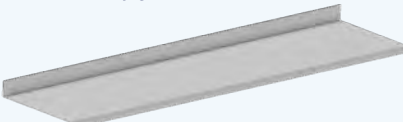
**2805-STOP**  
Arm Stop  
1" x 5" x 3/4"



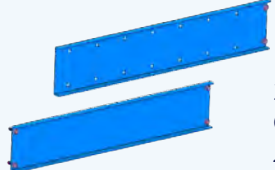
**2805-24x48**  
4' Aluminum Shelf  
24" x 48" x 4"



**2805-24x96**  
8' Aluminum Shelf  
24" x 96" x 4"



**2803-BRACE**  
Cross Brace Set



**2803 - A**  
Cross Brace A  
30 3/8" x 5 3/4" x 7/8"

**2803 - B**  
Cross Brace B  
28 3/8" x 5 1/2" x 7/8"

250 Maple Ave  
Bird-In-Hand, PA 17505  
717-397-4079 ext. 106

**Dealer Info**